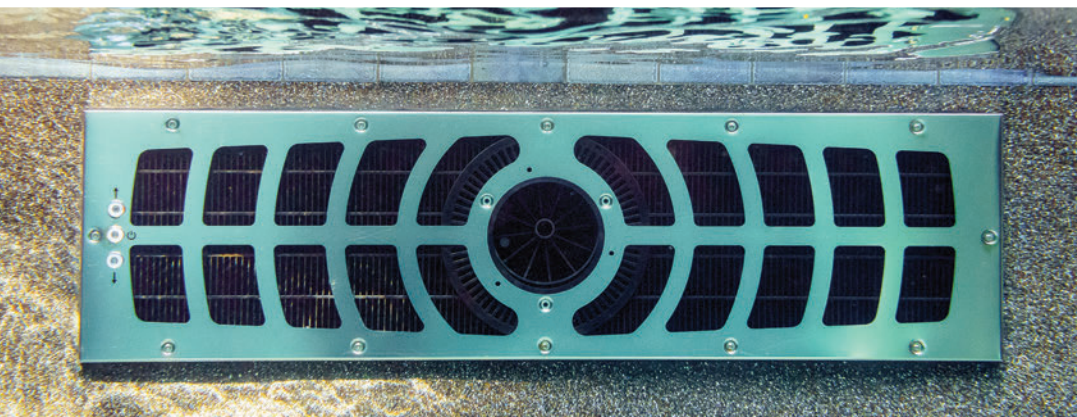


# BADU<sup>®</sup> SWIMJET

## Planning Guide



Choosing the  
Ideal BADU System,  
Location, and Options  
for your Pool.



BaduStream //  
BADUJET<sup>®</sup> super-sport //  
BADUJET<sup>®</sup> Imperial  
BADUJET<sup>®</sup> Turbo  
BADUJET<sup>®</sup> Turbo Pro

*The World Leader in  
SwimJet Systems*

**SPECK** X  
pumps



## What is a Swimjet?

If you've ever been in a pool, you've surely noticed the returns around the sides, where water comes back into the pool. Now, imagine a return large enough to swim against, with a huge amount of water coming out. That's a swim jet!

## What can you use a swimjet for?

### Backyard Exercise

Aquatic exercise is arguably the best exercise you can do. Gentle and soothing — no stress on joints or bones — swimming has historically been a favored method for staying in shape. Now you can enjoy a gym quality workout in the comfort of your own home. Seamlessly control the degree of workout you want; as you gain strength and speed from swimming, simply adjust the flow.

### Family Fun

Great memories start here! We have created the perfect accessory to add excitement to your pool. Unlock your kids' imagination with a BADU SwimJet. Let them boogie board across the choppy waters to find hidden treasures, or angle the jets to send a current around your pool, letting them race the clock to wherever their childhood adventures take them.

See the BADU®  
SwimJet Systems  
in Action!



*Consult your physician before attempting any strenuous exercise. This product may not be challenging or satisfying for all levels of exercise.*

## Aquatic Therapy

Recognized for thousands of years for its power to improve circulation, tone muscles and ease stiffness or joints, water has always been at the center of our lives. Our BADU SwimJet Systems provide a low-impact therapy for injury or fitness recovery. Unwind with a post-workout therapeutic massage, relaxing muscles, preventing lactic acid buildup, and speeding recovery time. See why nearly every team in the professional football league uses our jets for rehabilitation.

## Why use one of ours?

SPECK had already been innovating for decades when we came out with the world's first swimjet, our BaduJet in 1972. We've since built on years of experience and product development to offer you the best possible swimming experience in your pool. .

**Use this Planning Guide to choose the ideal Speck BADU SwimJet System for you. If you have any questions, be sure to ask your pool builder or call us directly at 800-223-8538.**



# BADU® SwimJet Systems

*make small pools big and big pools better!*

---

## BADUJET® super-sport II

The BADUJET super-sport II has been our workhorse for 50 years now, from a time before we even had a factory in the United States. Its classic design puts two jets inside of one housing, making for a compact and effective swim system, with total control directly on the unit inside the pool.



## BADUJET® Imperial

The BADUJET Imperial takes the same compact functionality of the BADUJET super-sport, and adds a stainless steel flair. Different versions are available ranging from partially to completely kitted out in 316 Marine Grade Stainless Steel.



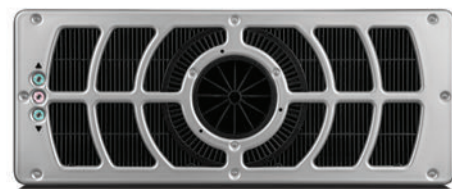
## BaduStream II

The BaduStream's single jet housings allow for more flexible planning, both in terms of the type of pool construction desired, as well as radius and placement within the pool. By foregoing face-mounted controls, they also represent a more economical option.



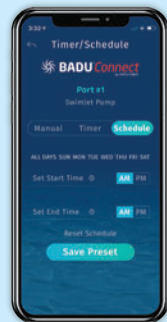
## BADUJET® Turbo & Turbo Pro

The BADUJET Turbo and Turbo Pro represent a radical redesign. Requiring **no plumbing**, they are much simpler to install. A large propellor draws water directly from the pool, eliminating the need for pipes or pumps. Importantly, these systems are now also completely variable speed and significantly quieter than the above-listed options. They are the final word in swim-in-place systems.





# WHICH BADU® SYSTEM IS RIGHT FOR YOU?



Control your workout with the BADU®Connect app

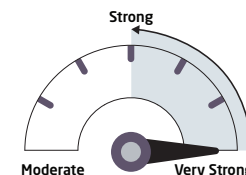
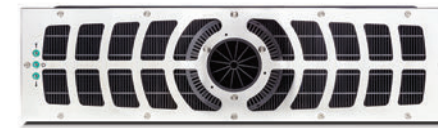
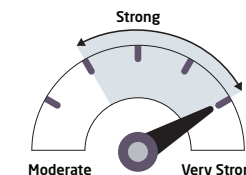
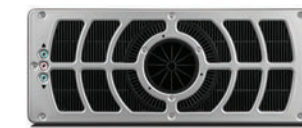
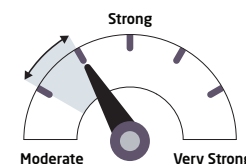
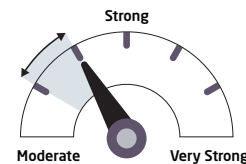
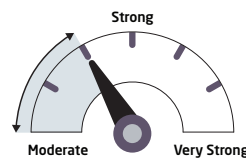
## BaduStream // Package A

## BADUJET® super-sport //

## BADUJET® Imperial

## BADUJET® Turbo

## BADUJET® Turbo Pro



Current Swim Level

Gallons Per Minute

Installation Style

Power Source

Number of Jets

Massage Hose

LED Light

Flow Adjustment

Faceplate Material

150 - 400 GPM

230 - 400 GPM

230 - 400 GPM

560 - 1100 GPM

670 - 1500 GPM

4" or 6" plumbing

4" or 6" plumbing

4" or 6" plumbing

vault (no plumbing required)

vault (no plumbing required)

Model 21-80/33 GS  
(5THP) pump

Model 21-80/33 GS  
(5THP) pump

Model 21-80/33 GS  
(5THP) pump

2 HP motor (mounted  
directly to housing)

4 HP motor (mounted  
directly to housing)

2 jets

2 jets

2 jets

1 propeller

1 propeller

no (optional item)

yes

yes

no

no

no

yes

yes

no

no

manual

manual

manual

push button (variable speed)

push button (variable speed)

plastic

plastic

316 Marine Grade Stainless Steel

plastic†

316 Marine Grade Stainless Steel\*

† also available in 316 marine grade stainless steel  
\* also available in plastic



## Builder Specifications

- BADU SwimJet Systems require a clear **unobstructed** area within the swimming pool that is 8 ft wide x 15 ft long x 3 ft deep to work effectively. This “swimming envelope” allows enough length for a swimmer to comfortably drift back and swim against the stream.
- All swimjets should be installed within 30 feet of the pump with 4” pipe and minimal fittings for optimum performance. If the distance to the pump is more than 30 feet, 6” pipe should be used for the entire length of plumbing. Contact Speck Pumps for installations over 30 feet.
- **DO NOT** locate the swimjet housing in seating areas or on the back rests for such seating areas.
- The center of the jet nozzle(s) should be installed 12” below the water level. If the swimjet is installed either too shallow or too deep, performance will be lost.

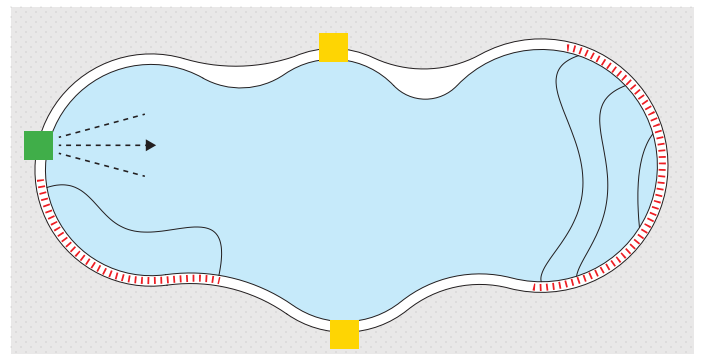
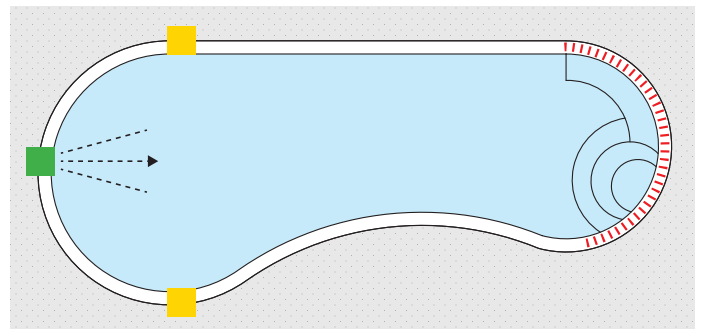


## Choosing a Location

To ensure that there is a clear unobstructed swim lane, it is key to position the swimjets away from surroundings walls, benches, stairs, etc. The installed swimjet should be at least 15 feet (inside the pool) from an adjacent wall or obstruction and at least 8 feet (inside the pool) from an opposing wall or obstruction.

- IDEAL LOCATIONS\*
- ALTERNATIVE LOCATIONS\*
- UNFAVORABLE LOCATIONS

Here are a few examples:



\*Reminder: BADU SwimJet Systems require a clear **unobstructed** area within the swimming pool that is 8 feet wide x 15 feet long x 3 feet deep to work effectively. This “swimming envelope” allows enough length for a swimmer to comfortably drift back and swim against stream.

# Installation & Options

## BADUJET® Turbo and Turbo Pro

### BADUJET Turbo Standard Features



**ALL BADUJET TURBO AND TURBO PRO SYSTEMS INCLUDE** a Motor (2 HP or 4HP), VFD and SPECK Controller with WiFi.

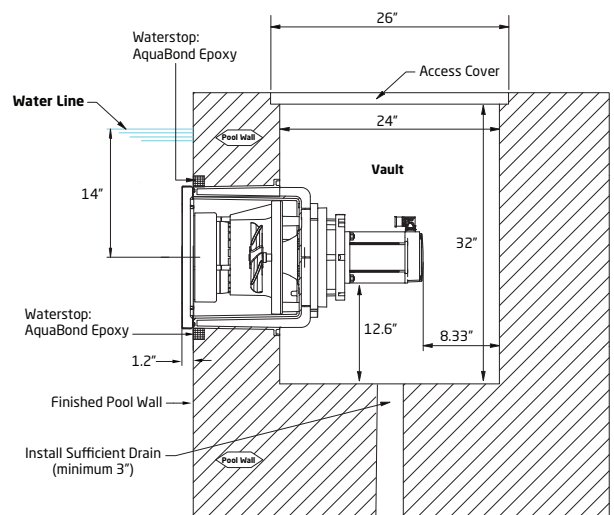
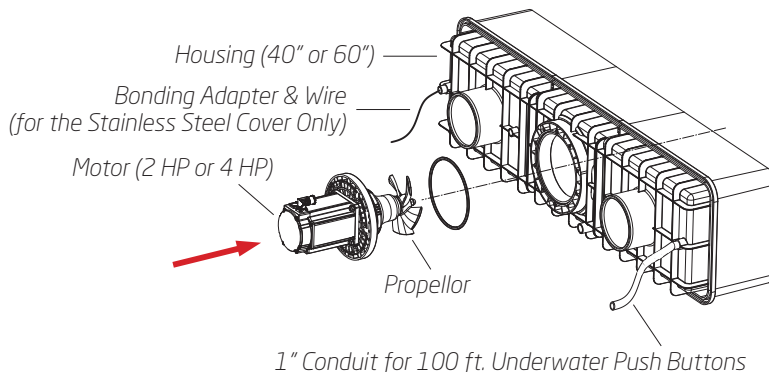
### Options and Accessories

- BADUJET Turbo Pro alternate cover options: Stainless Steel Bubble cover or the standard design in Plastic
- The BADUJET Turbo has alternate Stainless Steel covers in standard and bubble design.
- Longer VFD to Motor Cable is available (150 ft)
- Winter cover kits are also available.



### Installation Specifications

This diagram shows some of the relevant information you will need to know for the installation process. *(Read The Manual Before Installing).*



# Builder Specifications

- **DO NOT** locate the housing in seating areas or on the back rest for such seating areas.
- The center of the jet should be installed 14" below water level. If the swimjet is installed too shallow or too deep, performance will be lost.
- **BADUJET Turbo** requires a straight wall within the pool for installation with a clear unobstructed area in front of it measuring 8 ft wide x 15 ft long x 3 ft deep for it to be used to its full potential. *(Call us if you think it's close.)*
- **BADUJET Turbo Pro** requires a straight wall within the pool for installation with a clear unobstructed area in front of it measuring 8 ft wide x 20 ft long x 3 ft deep for it to be used to its full potential. *(Call us if you think it's close.)*
- A vault measuring 24" x 24" x 32" should be built behind the BADUJET Turbo or Turbo Pro, allowing access to the motor and proper drainage. We recommend using a 26" x 26" HIDE Access Cover Kit (HAC26-0.8) over the vault. **Proper drainage is extremely important.** Motor damage due to flooding will not be covered under warranty.



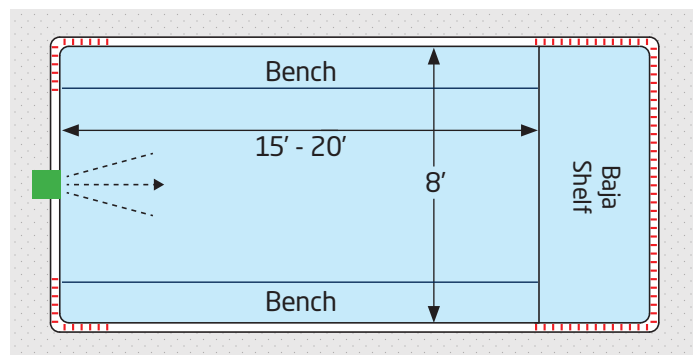
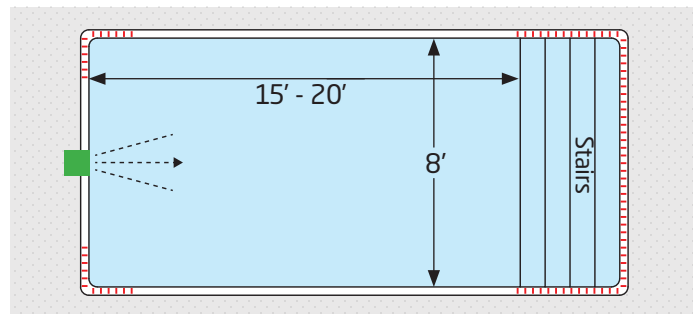
# Choosing a Location

To ensure that there is a clear **unobstructed** swim lane, it is key to position the swimjet away from surroundings walls, benches, stairs, etc. It is also **important to ensure overall symmetry** in the pool design. Should there be a sun shelf or steps on the side of the pool opposite the jet, for instance, it is imperative that they run the entire length of the back side. See diagram. Be sure to position the jet down the longest possible swim envelope within the pool.

Refer to the diagrams (right) for recommended clear area for the BADUJET Turbo and Turbo Pro.

- IDEAL LOCATION
- ▬ UNFAVORABLE LOCATIONS

**Please Note:** The BADUJET Turbo and Turbo Pro are *not recommended* for freeform pools. The BADUJET Turbo and Turbo Pro both require a straight wall within the pool for installation.

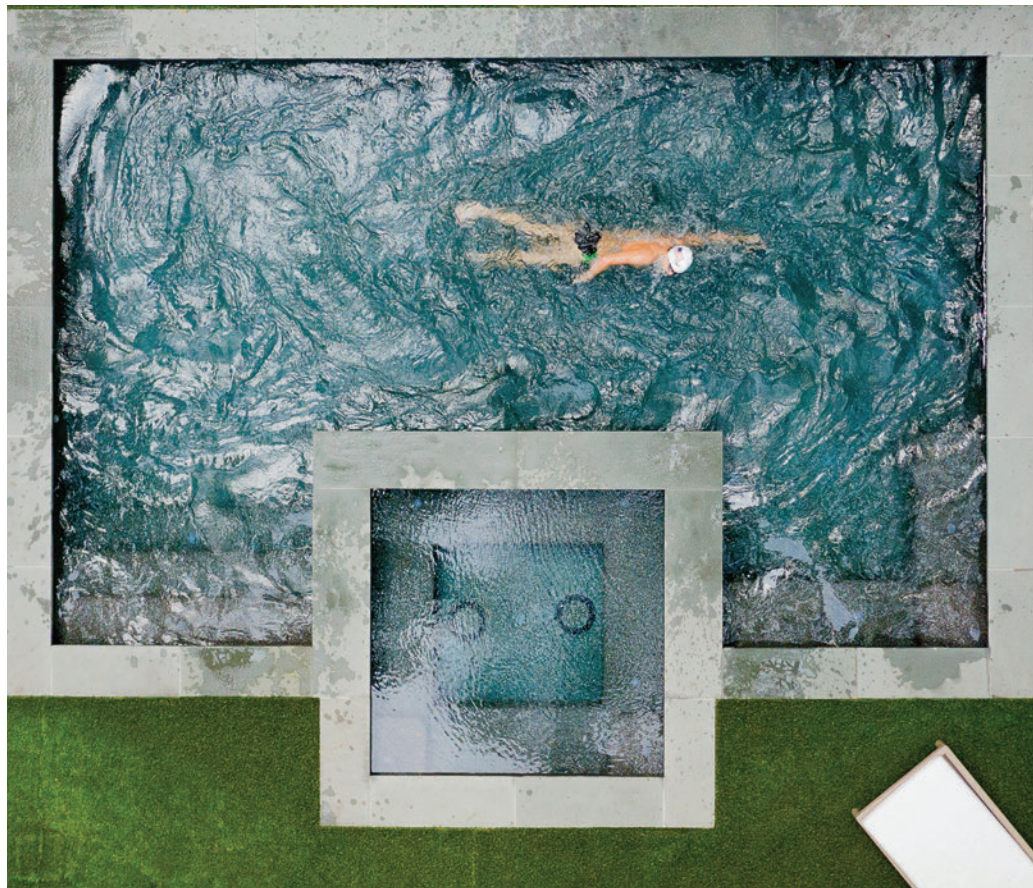


**BADUJET Turbo & Turbo Pro recommended clear area.**

*\*\*Benches are okay if symmetrical. (A bench on only one side will cause flow failure.)*



# Imagine your perfect BaduJet pool ...



# Product Listing with Part Numbers

---

## BaduStream //

**SS484-2400M-1SW**  
*White Square Cover*

**Package A** – BaduStream SwimJet Systems (**400 GPM**) complete consisting of **two** BaduStream jet housings with adjustable flow nozzles, one 4.0 HP pump, and control box.

**SS484-1400M-1SW**  
*White Square Cover*

**Package B** – BaduStream SwimJet Systems (**270 GPM**) complete consisting of **one** BaduStream jet housing with adjustable flow nozzles, one 4.0 HP pump, and control box.

**SS484-3400M-1SW**  
*White Square Cover*

**Package D** – BaduStream SwimJet Systems (**700 GPM**) complete consisting of **three** BaduStream jet housings with adjustable flow nozzles, **two** 4.0 HP pumps, and control box.

**SS484-2400M-1RW**  
*White Round Cover*

**Package A** – BaduStream SwimJet Systems (**400 GPM**) complete consisting of **two** BaduStream jet housings with adjustable flow nozzles, one 4.0 HP pump, and control box.

**SS484-1400M-1RW**  
*White Round Cover*

**Package B** – BaduStream SwimJet Systems (**270 GPM**) complete consisting of **one** BaduStream jet housing with adjustable flow nozzles, one 4.0 HP pump, and control box.

**SS484-3400M-1RW**  
*White Round Cover*

**Package D** – BaduStream SwimJet Systems (**700 GPM**) complete consisting of **three** BaduStream jet housings with adjustable flow nozzles, **two** 4.0 HP pumps, and control box.

---

## BADUJET® Imperial

**JS421-2411F-100**

BADUJET Imperial SwimJet System complete (**400 GPM**) consisting of Dual Nozzle Jet Housing, LED light, stainless steel ring cover and hand rail, massage hose, control box, and 4.0 HP pump.

**JS421-2411F-1SS**

BADUJET Imperial **Deluxe** SwimJet System complete (**400 GPM**) consisting of Dual Nozzle Jet Housing, **All Stainless Steel** jet nozzles, control buttons, LED light, stainless steel ring cover and hand rail, massage hose, control box, and 4.0 HP pump.

---

## BADUJET® super-sport //

**JS414-2400M-1SW**

BADUJET super-sport SwimJet System complete (**400 GPM**) consisting of Dual Nozzle Jet Housing, LED light, massage hose, control box, and 4.0 HP pump.

---

## BADUJET® Inspiration

**JS431-2411F-10W**

BADUJET Inspiration is an Over-the-Wall SwimJet System (**420 GPM**) with built-in LED Light, 4.0 HP pump. Unit comes complete with GFCI control box, deck mounting hardware and GFCI protected cord.

---

## BADUJET® Turbo

**JS453-9211T-10P**

BADUJET Turbo SwimJet System (**1,100 GPM**) complete with Jet Housing and **Plastic Cover**, Control Box with WiFi, 2 HP Motor, and Variable Frequency Drive

**JS453-9211T-100**

BADUJET Turbo SwimJet System (**1,100 GPM**) complete with Jet Housing and **Stainless Steel Cover**, Control Box with WiFi, 2 HP Motor, and Variable Frequency Drive

---

## BADUJET® Turbo Pro

**JS443-9411T-100**

BADUJET Turbo Pro SwimJet System (**1,500 GPM**) complete with Jet Housing and **Stainless Steel Cover**, Control Box with WiFi, 4 HP Motor, and Variable Frequency Drive

---

*Call for three phase and/or flooded suction pump models as well as other BADU SwimJet combinations.*

# *We Bring Water To Life.*<sup>®</sup>



VGBA 2017

The BADU SwimJet Systems are VGB-compliant.

Proudly  
Assembled  
in the USA



For more information on BADU SwimJet Systems,  
visit [www.badujet.com](http://www.badujet.com) or call **1-800-223-8538**.

**SPECK**   
pumps

8125 Bayberry Road  
Jacksonville, FL 32256 USA  
info.usa@speck-pumps.com  
www.speck-pumps.com  
www.badujet.com  
Toll Free 800.223.8538  
Telephone 904.739.2626