

BADU[®] JET *Inspiration*☆☆

WE'LL KEEP YOU **MOVING!**



The BaduJet Inspiration Swimjet System from Speck Pumps turns ordinary pool water into an invigorating current. The BaduJet Inspiration provides a vigorous workout with endless swimming or walking in place - with no stress to the joints or bones. Helping you meet your fitness goals.

The BaduJet Inspiration allows you to:

- Exercise at your own pace
- Build your cardiovascular system
- Improve your strength & mobility
- Increase your endurance & stamina
- Reduces Stress & Burns calories



For more information call
800.223.8538
or visit us at
www.badujet.com

See the
BaduJet
Inspiration
in Action



WE BRING
WATER TO LIFE[™]

Follow us:



SPECK X
pumps

SwimJet System

The BaduJet Inspiration is perfect for existing in-ground pools as well as new installations and even above-ground pools. The system features dual swimjets for optimal swim against the current action, no-impact aquatic exercise, water massage and fun for the entire family.



Features

- A. Two-piece body molded of a heavy duty ABS plastic immune to chemicals and environmental abuse, to provide a rugged and attractively styled water treadmill.
- B. Adjustable water flow jet nozzles.
- C. Light (ON/OFF) button turns LED light ON/OFF.
- D. Pump (ON/OFF) button guarantees complete separation between pool water and pump motor control.
- E. Air regulator (OPEN/CLOSE) knob permits a controlled mixture of air into the water flow and creates a unique, invigorating, bubble effect. It will also add additional resistance to swim against.
- F. 15 ft. GFCI twist-lock cord.
- G. Speck 4 HP self-priming, plastic pump. Single phase with thermal overload. *(Not Shown)*
- H. 5' Massage Hose with pulsator may be attached to jet nozzle. *(Optional 15' massage hose available)*
- I. For Above-Ground Pools: Optional Telescopic support kit (part# 031985100). *(Not Shown)*
- J. The Badu Swim Mirror the perfect addition to the BaduJet Inspiration. Designed to help the swimmer stay in the "swim lane". *(part# 2300011200) (Not Shown)*



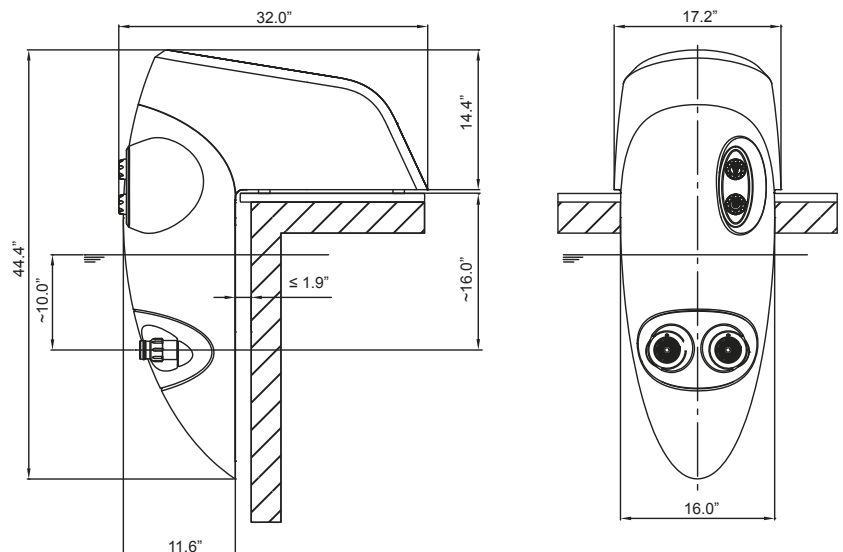
Trademarks and Certifications



Complies with UL 1563
CSA C22.2 No. 218.1-M89
Swimming Pool Equipment
Listing #E212148

VGB 2008

Dimensional Drawing



Installation

This unit can be mounted over the wall of most pools with little installation, effort or cost. This self-contained unit comes complete with pump, control box, electrical cord with GFCI and mounting hardware. It requires no additional equipment for installation. Just supply pool, water and electricity. Pump and Control also available in 3 phase. Read all instructions before installing.

*Consult your physician before attempting any strenuous exercise. This product **MAY NOT** be challenging or satisfying for all levels of exercise.*